

HYMER Magnetig refrigerator front

SCOPE OF DELIVERY

1x magnetic foil on plywood board

ASSEMBLY TIME

approx. 10 minutes

ITEM NUMBERS:

3349154 / 3361095 / 3356136

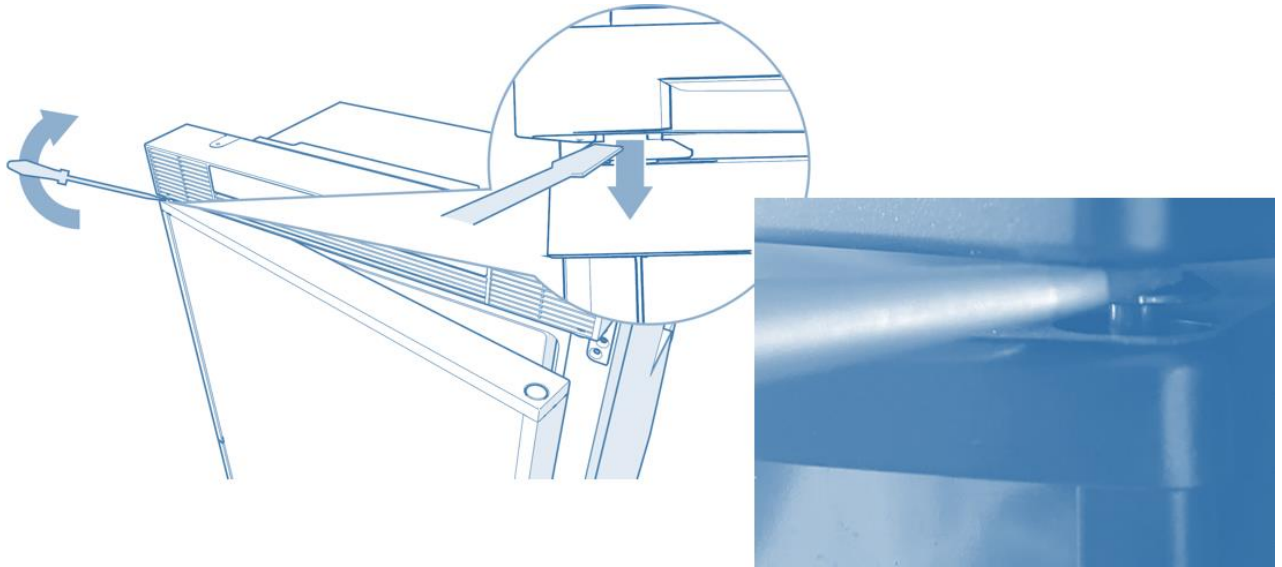
NECESSARY TOOL:

Screwdriver (slot / cross)

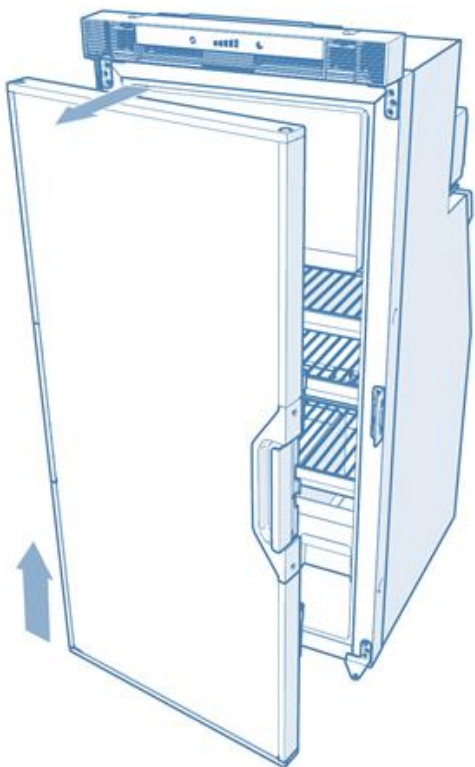


Before the magnetic foil can be attached, the door must be unhinged.

To do this, take a slotted screwdriver and on the side where the refrigerator door was fixed, slide down the upper connecting bolt. (see pictures below).

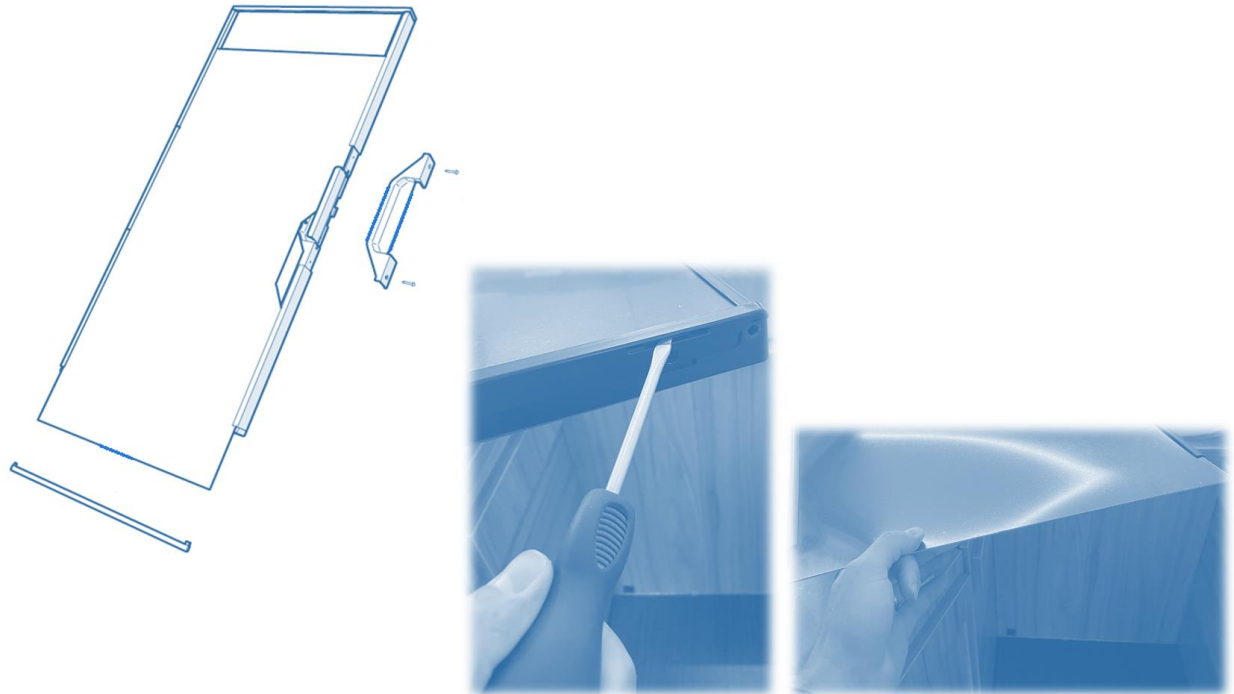


After the connecting bolt has been pressed down, the refrigerator front can be removed.



In the case of a refrigerator front with shell handle, optionally, if necessary, the shell handle can be removed.

Before the magnetic foil can be attached, the lower injection molded cover must first be removed. This can be loosened at the recesses with a slotted screwdriver. Once the cover has been removed, the existing plate can be removed and the new one with the magnetic foil can be attached.



When the magnetic foil has been applied, then the end pieces can be reattached and the door can be hung in the refrigerator front.