

ERIBA Clothes line



In purchasing the ERIBA clothes line, you have decided in favour of a genuine quality product. It's child's play to mount and operate, and a long service life is guaranteed. However, we recommend that you read through these brief instructions carefully and take note of the few, but important, points.

Note: *The pictures in these operation instructions may differ from the original.*

Important information

Please read the following information carefully before using the clothes line. This product is intended for drying items of laundry. These brief instructions must be carried permanently in the vehicle (e.g. with the other vehicle papers). Always pass on these brief instructions together with the product (e.g. when hiring or selling).



*No road traffic regulations approval!
Before the start of your journey, you must disassemble the clothes line!*



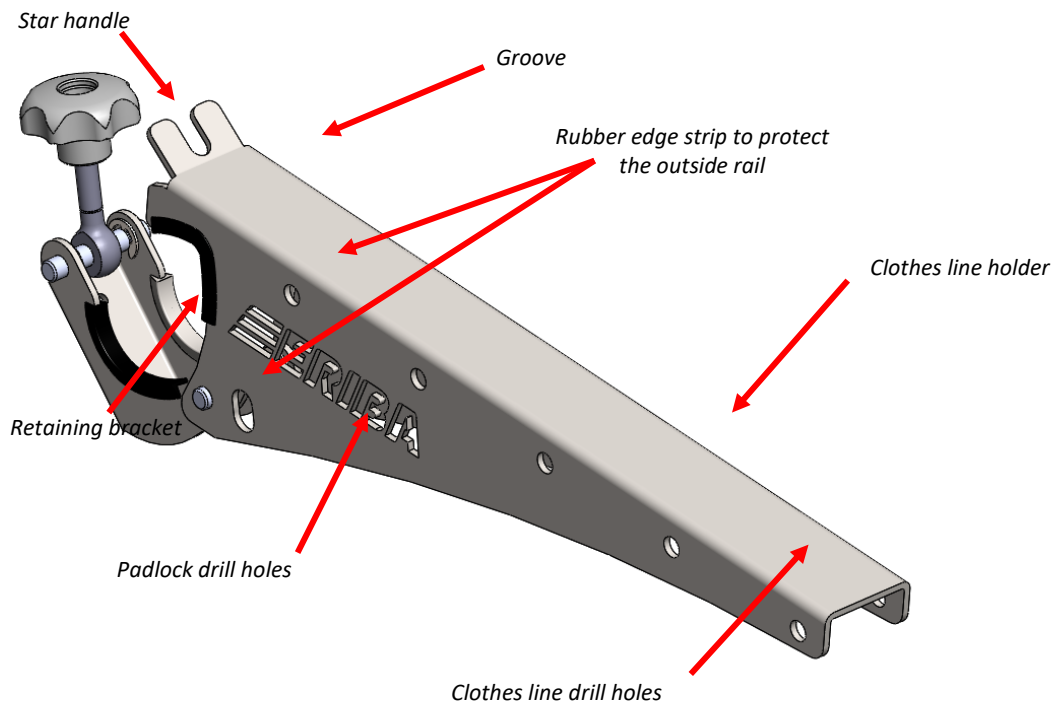
*Stepping on the line is forbidden!
Stepping or climbing onto the washing line is not permitted. Risk of injury / destruction of the clothes line!*



Load-bearing

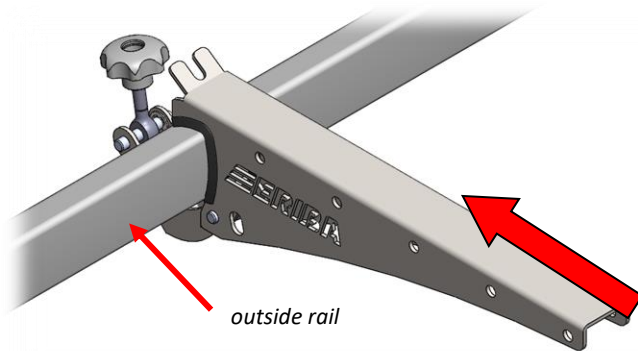
The permitted load-bearing capacity of 10kg (5kg per holder) must not be exceeded!

Overview



Assembling the ERIBA clothes line

Attach the holder for the washing line to the outside rail of your caravan.



First, swing the bracket upwards and then fit the star handle into the groove.

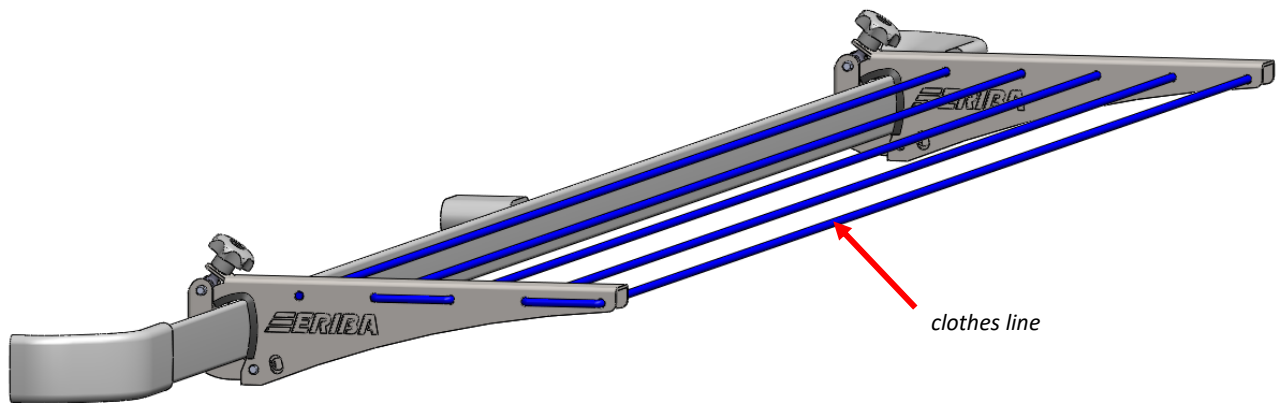


Turn the star handle by hand until tight (only tight enough for the clothes line holders to fit firmly).



Please proceed in the same way with the second clothes line holder.

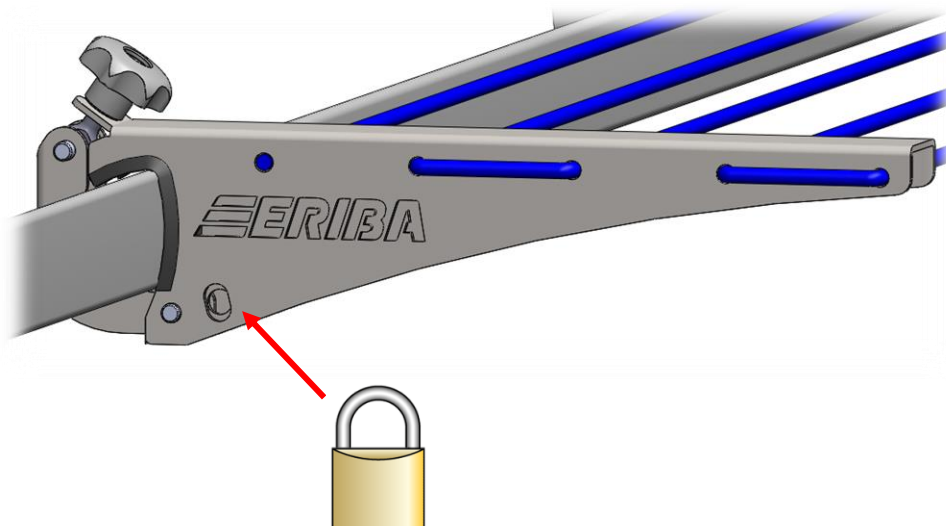
Then pull the washing line through the washing line drill holes. Use a knot to secure the ends of the line against pulling out.



You can adjust the tension of the washing line by moving the washing line holders along the outside rail.

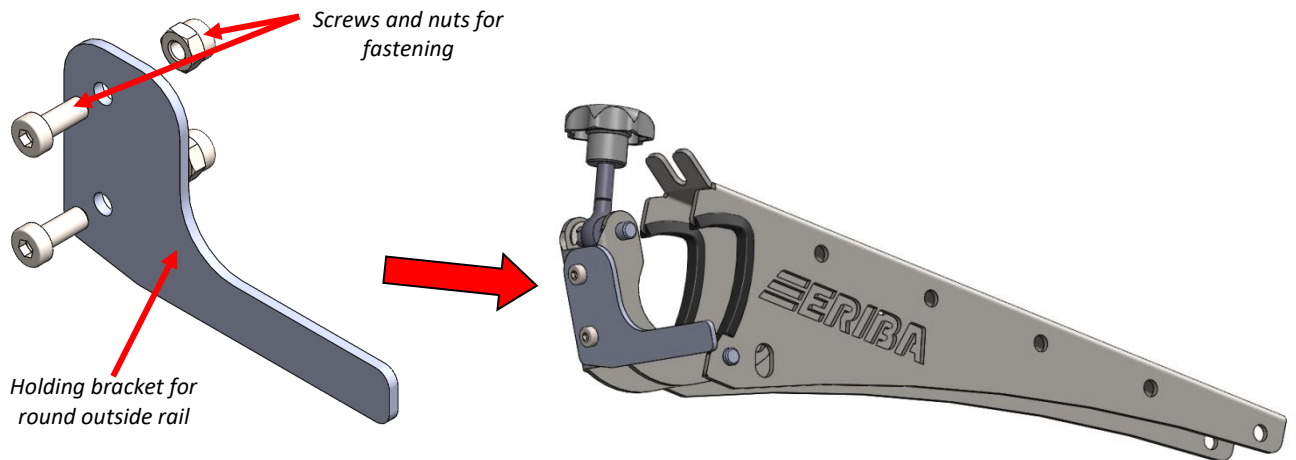
Theft protection

By attaching a padlock in the clothes line drill holes, you can prevent theft of your ERIBA clothes line.

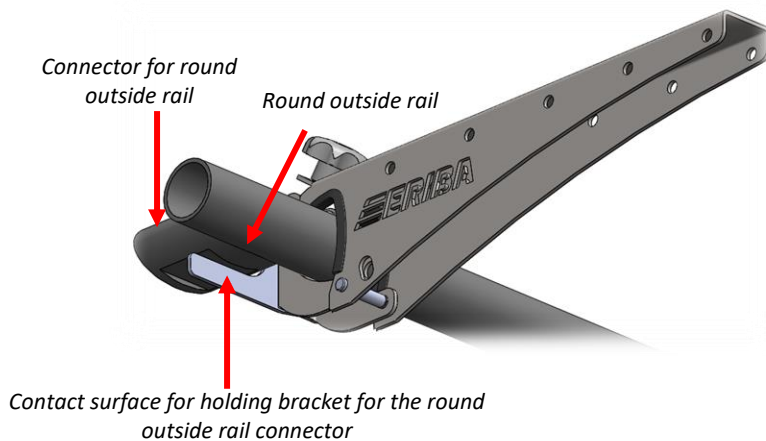


Assembling the ERIBA clothes line on a round outside rail

To assemble the ERIBA clothes line on a round outside rail, you will need the round outside rail holding bracket (this is available from the accessories for the ERIBA clothes line, item number 2483629).



Attach the clothes line holder so that the holding bracket for the round outside rail can be supported by the connector for the round outside rail (on the caravan side).



Disassembling the ERIBA clothes line

In order to disassemble the ERIBA clothes line, please proceed in the reverse order. The clothes line itself can however remain in the washing line drill holes.

Warranty conditions

The warranty claim expires if the system is loaded in excess of the approved load-bearing capacity or used for purposes that deviate from those described above. For the rest, the statutory warranty conditions apply.