

HYMER Campervan Telescopic ladder

SCOPE OF DELIVERY

1x telescopic ladder
1x base support for trestle and Gecko feet
2x Gecko feet
2x mounting bracket for sleeping roof
(Screwable designed)

ASSEMBLY TIME

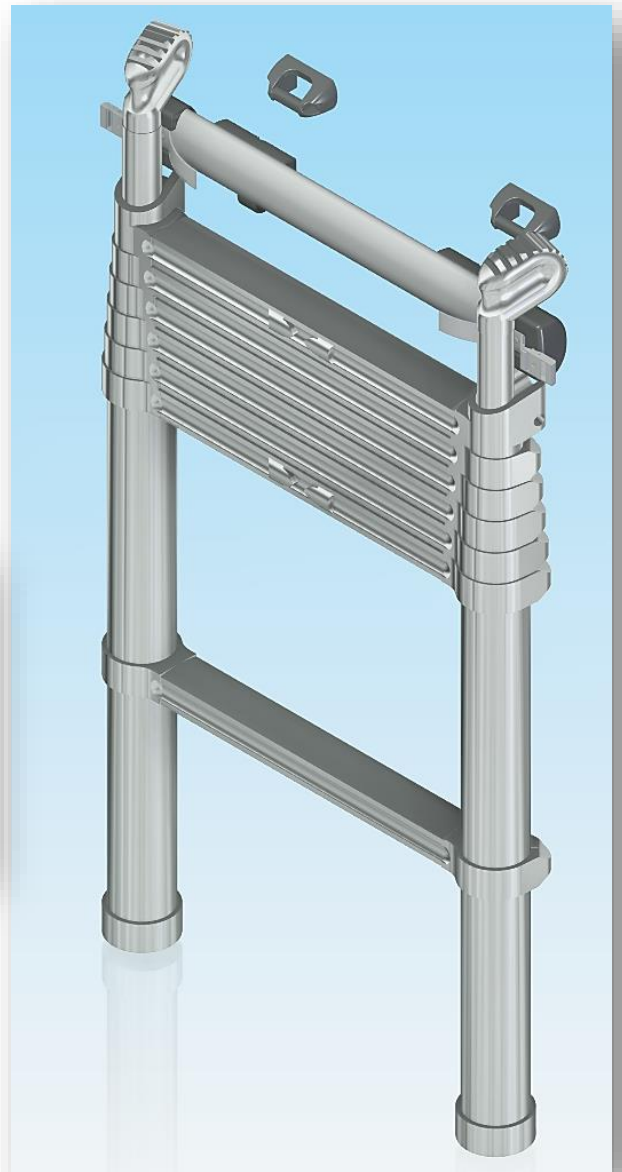
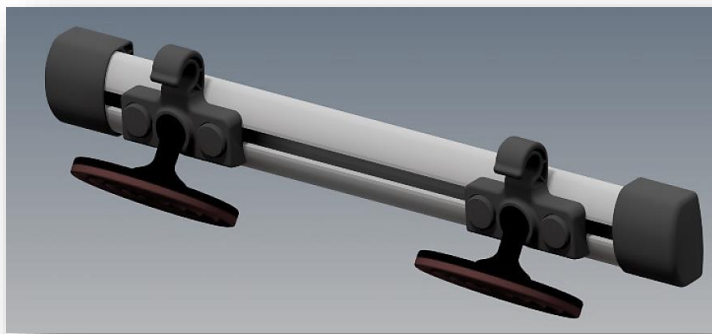
approx. 10 minutes

PART NUMBER:

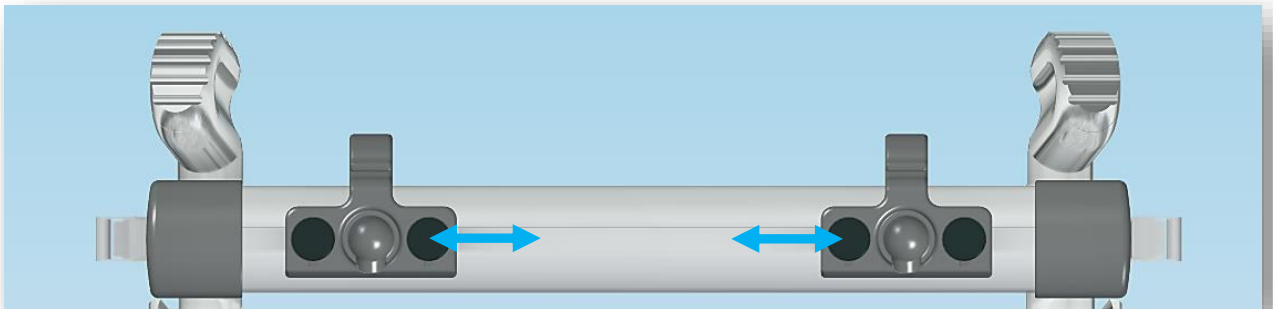
8501950

NECESSARY TOOL:

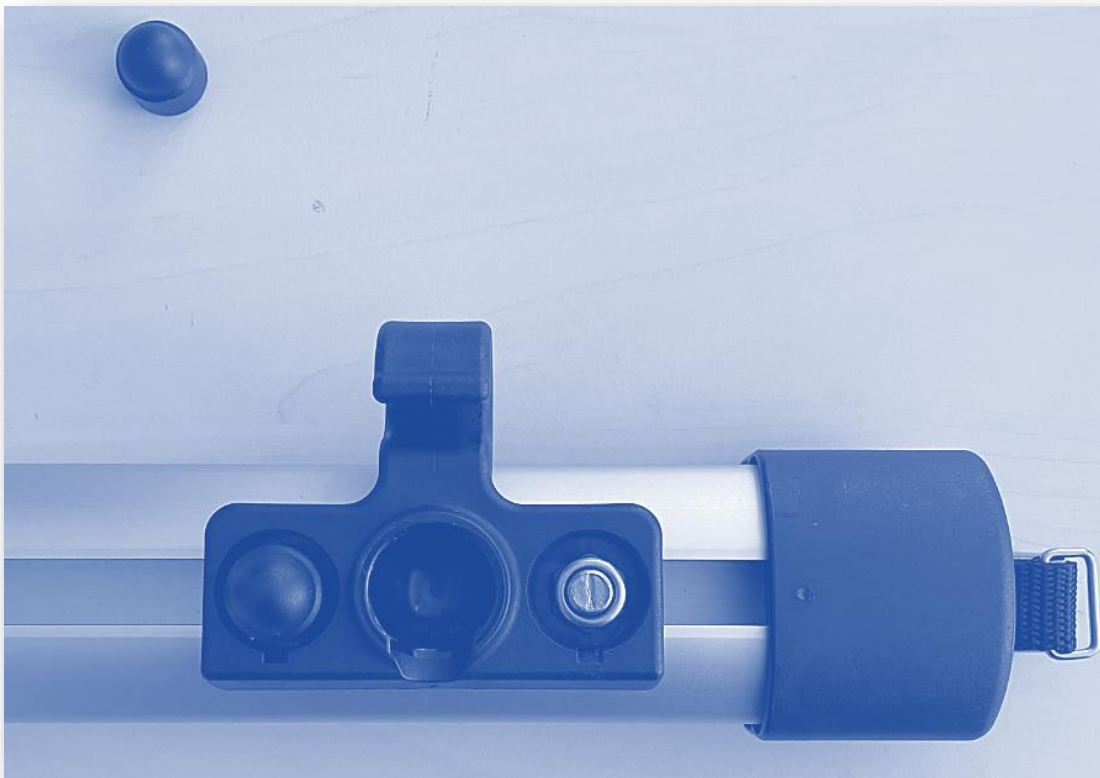
Screwdriver (slotted / cross) /
Hexagonal ratchet for internal cap nut



In order to be able to install the telescopic ladder in the interior of the vehicle when climbing up the sleeping roof, it is first necessary to check whether the positions of the hook holders on the base support of the telescopic ladder match the lower holders shown:



If they do not match, the hook brackets can be adjusted at the base support. Here, the plastic covers would have to be removed (4x in total).



After the covers have been removed, the cap nuts can be loosened with the hexagonal ratchet.



The hook brackets can thus be brought into the correct position by moving the brackets in the inner rail. When this has been found, tighten the cap nuts with the hexagonal ratchet and subsequently attach the plastic cover.

Now the telescopic ladder can be attached to the interior.

If the ladder is to be attached in a different location, the supplied fastening bearings can alternatively be screwed in any position.