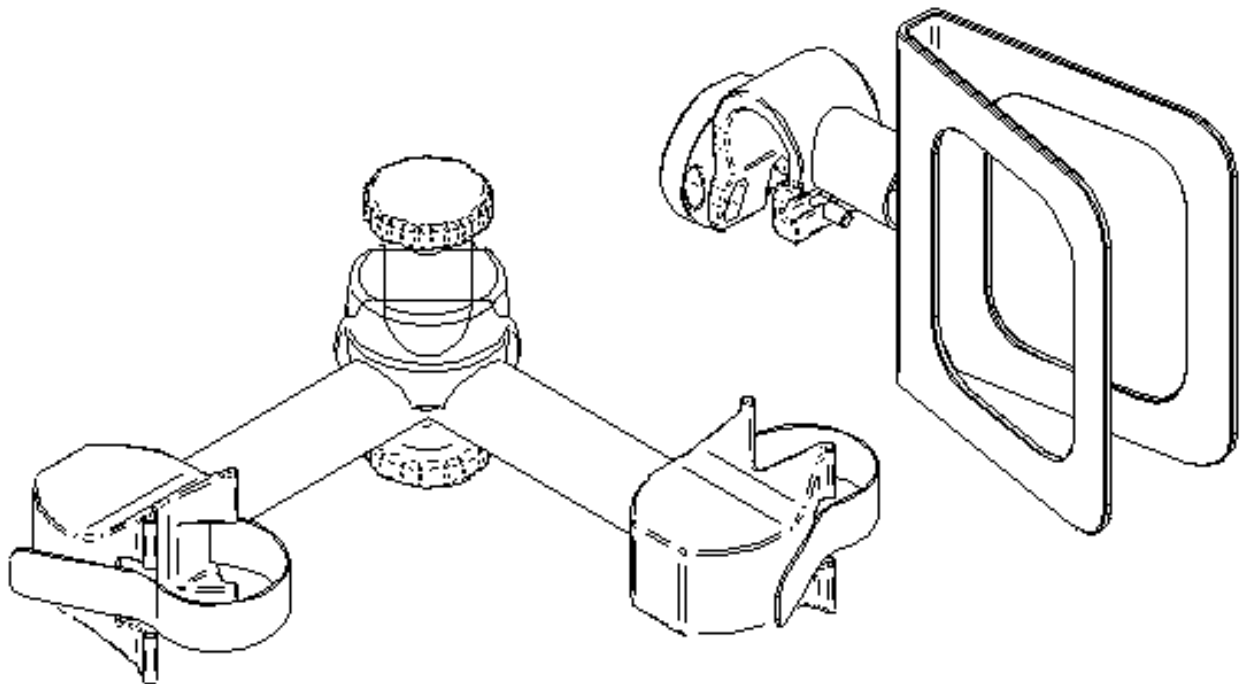


# *Extension set 1 bicycle for HYMER Bike Carrier*

Scope of delivery:

- (1) 1x Mounting claw
- (2) 1x Wheel shell incl. holder
- (3) 1x Strap (black)

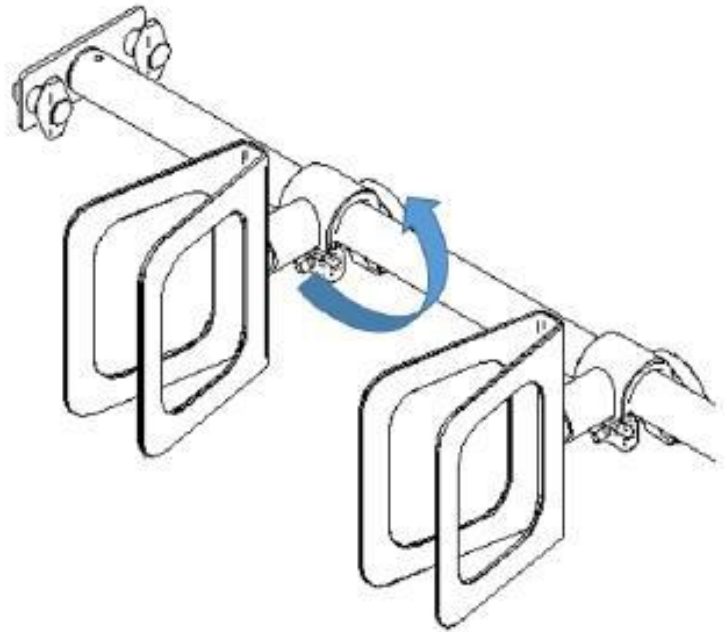


Material:  
Aluminum and stainless steel

Part number:  
3120304

Instruction manual:

Attach the wheel shell to the telescopic rod, now you can retract with the bicycle tire and fix it with the strap. Then take the fastening claw and fix bike 2 with bike 3.



Information on the wheel cup holder:

Additional rubber mat to place inside (incl. adhesive backing) - Variable when attaching and removing. Must be fitted if the wheel shells are to be fitted to the smaller tube diameters  
Article concerned: 3384593



Additional rubber mat to lay in (incl. adhesive backing)  
Part number: 3384593