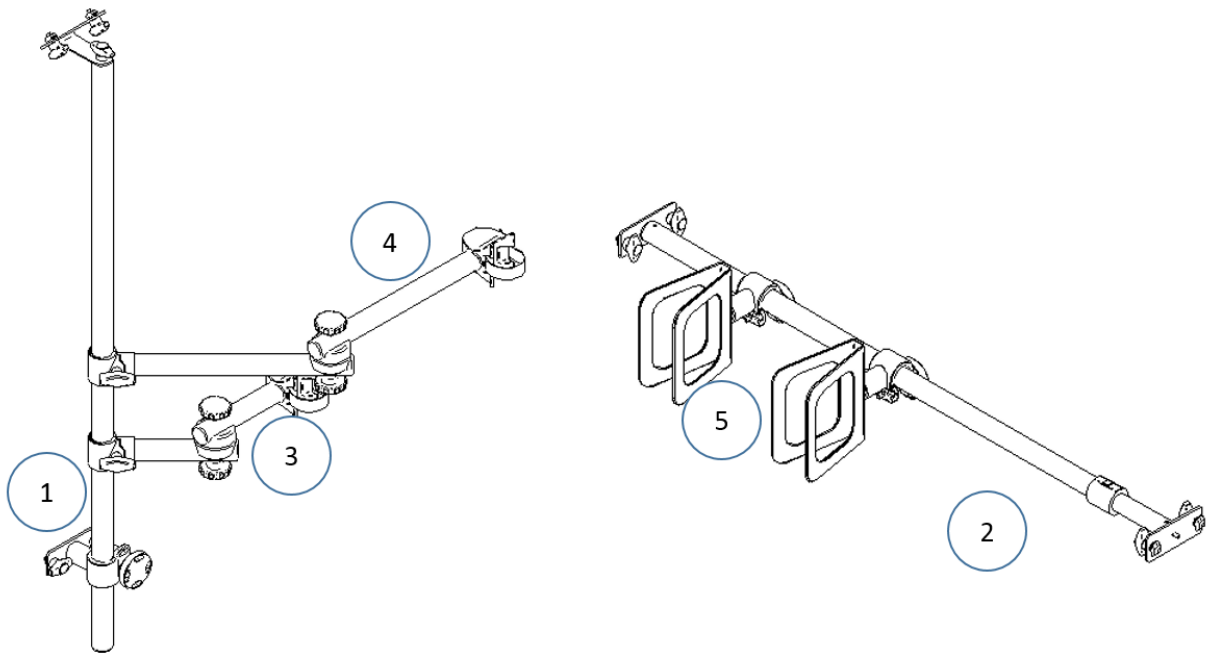


HYMER Bike Carrier

Scope of delivery:

- (1) 1x Handrail Vertical incl. fixing
- (2) 1x Telescopic pole incl. attachment
- (3) 1x Mounting claw 31cm
- (4) 1x Mounting claw 47cm
- (5) 2x Wheel shell incl. Holder
- (6) 2x Strap (black)



Material:

Aluminum and stainless steel

Installation time:

Approx. 10 minutes

Part number:

3099575

Care instructions:

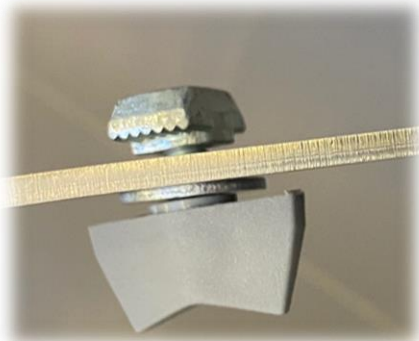
Wipeable with a damp sponge

Important additional information:

Before you install the bicycle rack brackets in the garage, you should leave the T-nuts loosely pre-assembled with the wing screws on the sheet metal parts. Insert this compound into the lashing rails and tighten the bracket using the wing screws.

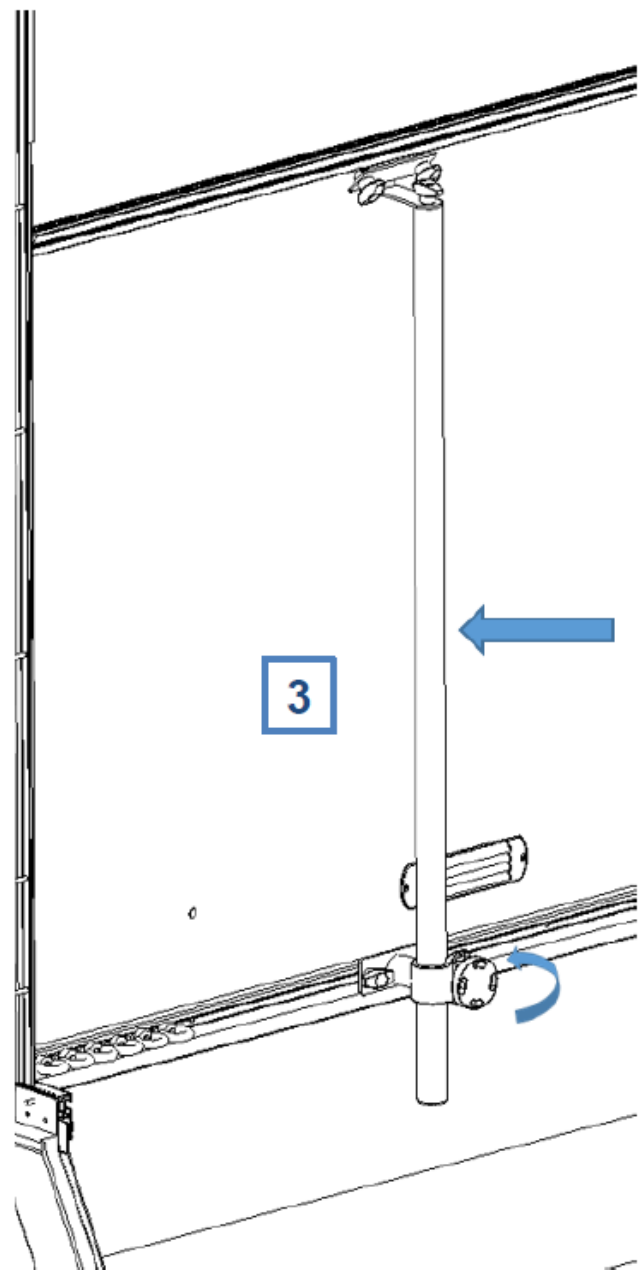
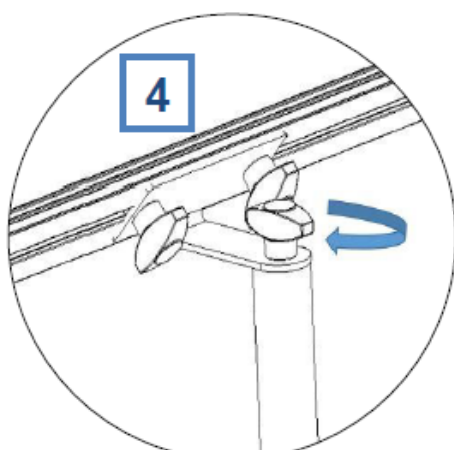
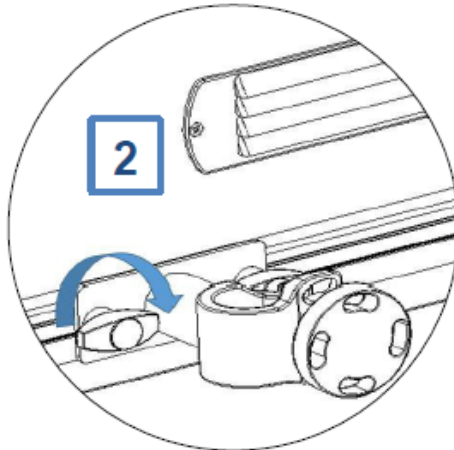
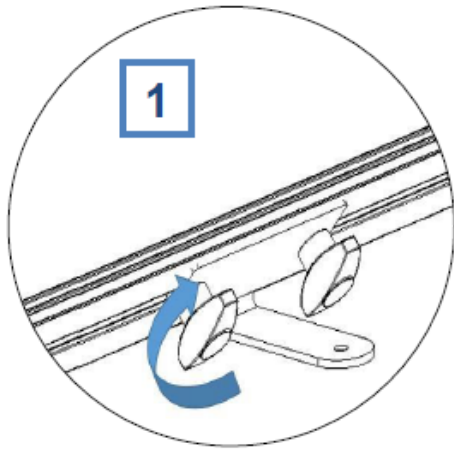
DE Nutenstein
EN Groove Stone
FR Écrou à Fente

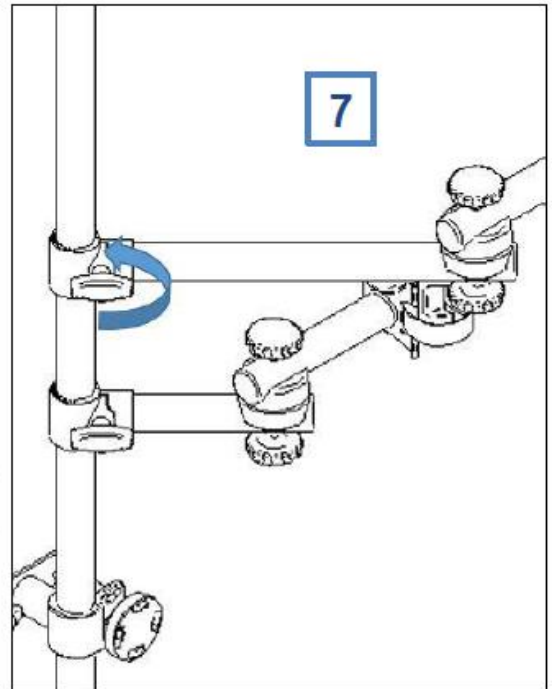
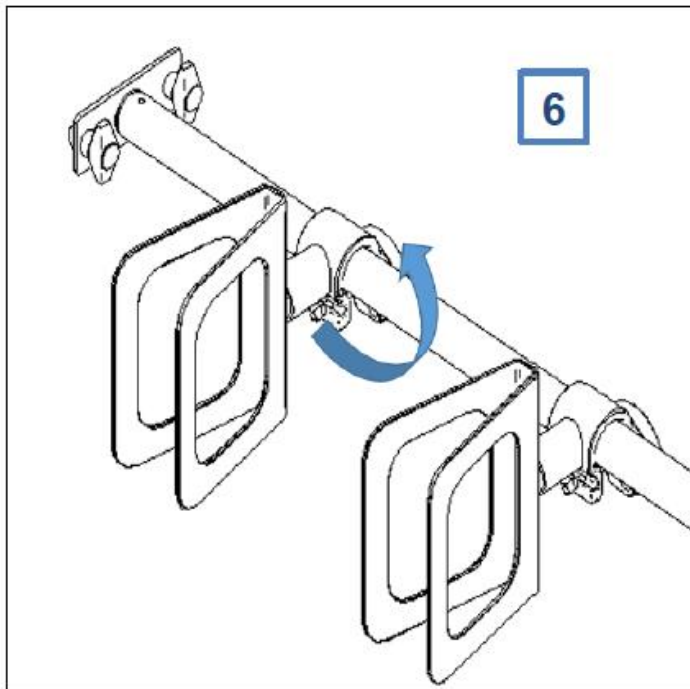
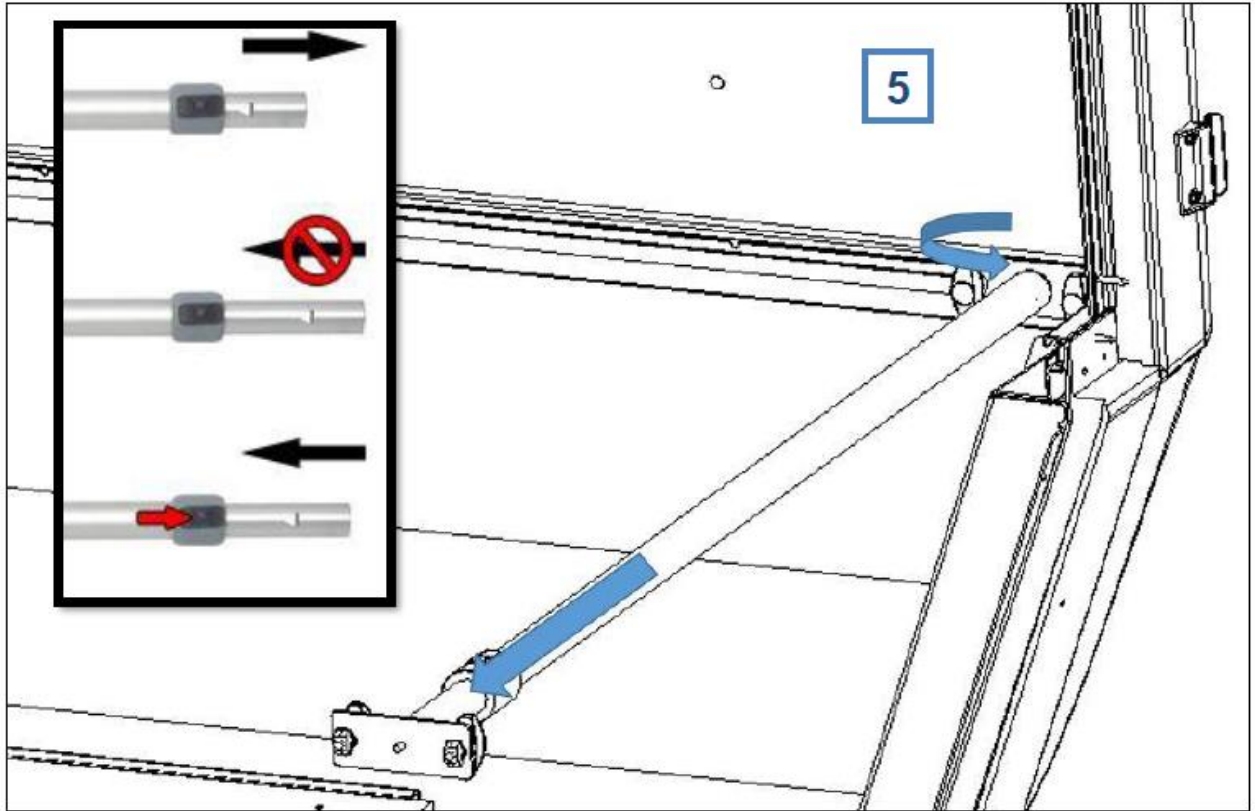
DE Flügelschraube
EN Winged Screw
FR Vis Papillon



Top view with groove stone, washer and wing screw

Installation instructions:





Installation instructions:

- (1) Fix the stainless steel bracket in the ceiling rail of your rear garage. To do this, insert the sliding blocks into the rail and tighten them with a twist grip.
- (2) Fix the bracket in the lower lashing rail (same alignment).
- (3) Attach the aluminum pole.
- (4) Connect the thread of the aluminum pole to the turning handle and the stainless steel bracket.
- (5) Attach telescopic rod in the rail of the rear wall. Use the sliding nuts and turning handles for fixing. Then pull the telescopic rod out until the connection fits in the opposite lashing rail and fix the rod by means of a turning handle.
- (6) Now attach the two wheel shells to the telescopic rod.
- (7) Attach the fixing claws to the vertical support bar with a turning handle.

Instruction manual:

- (1) Slide the front wheel or rear wheel into the wheel arch (depending on the space).
- (2) Swing the fixing claw so that you can fix the seat post or handlebar stem to the bicycle.
- (3) After positioning, you must now turn all knobs.
- (4) Finally fix the straps with the wheel shell and the tire.

Attention:

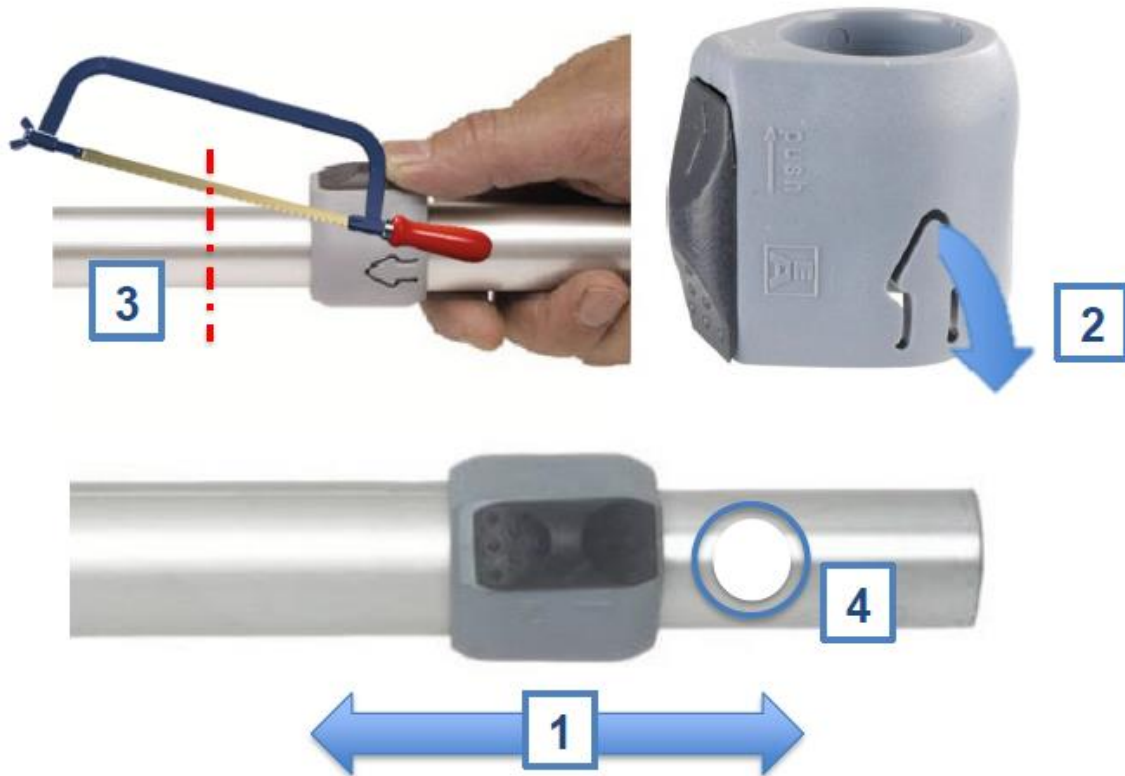
If the bike is too long and the garage door does not close, you can remove the wheel and attach the tire directly to the telescopic pole. Please use only the straps. Alternatively, you can also bring the bike with the rear wheel first and swing the handlebars in front of the door.



Additional information:

For very short rear garages, you must shorten the telescopic rod.

- (1) Pull the telescopic rod apart.
- (2) Loosen the clamps and then rotate the two rods apart.
- (3) Now you have to shorten both aluminum rods with a metal saw.
- (4) Drill two holes in the wider bar. (These are used to hold the clamp).
- (5) Reconnect both rods



Information on the wheel cup holder:

Additional rubber mat to place inside (incl. adhesive backing) - Variable when attaching and removing.

Must be fitted if the wheel shells are to be fitted to the smaller tube diameters

Article concerned: 3384593



Additional rubber matt to lay in (incl. adhesive backing)

Part number: 3384593